

**RE920Tx**  
**Unidirectional Condenser**  
**Instrument Microphone**  
**with TA4F Connector**



**Key Features:**

- **Wide, Smooth Frequency Response**
- **Cardioid Polar Pattern**
- **Handles High SPL Levels**
- **Flexible Gooseneck Allows Easy Mic Adjustment**

**General Description:**

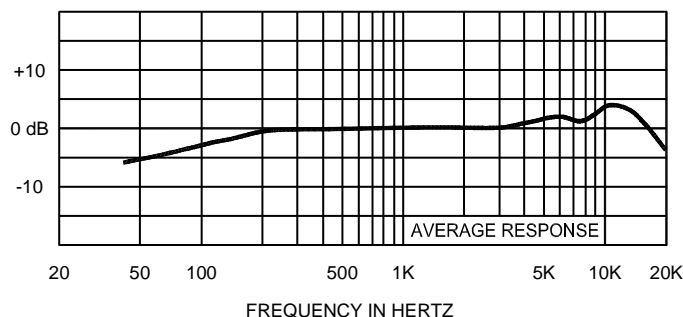
The Electro-Voice® model RE920Tx is a cardioid condenser mic, designed specially for wireless use with musical instruments. It includes a specially designed instrument-mount clip assembly, which securely holds the mic in place, while isolating it from mechanical vibration. The mic is terminated in a TA4F connector wired for use with EV & Telex bodypack transmitters, and includes a two-stage foam windscreens, and a gig bag.

**Technical Specifications:**

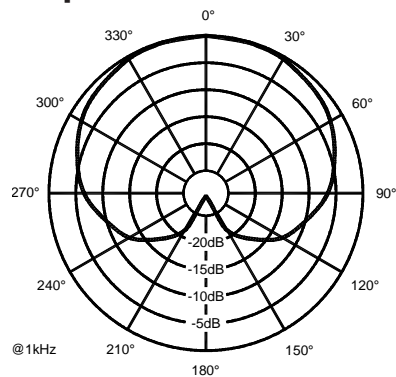
Generating Element:	Self-Biased condenser, back electret 2-micron thick, gold sputtered diaphragm
Frequency Response:	80 – 18kHz (see chart)
Polar Pattern:	Cardioid (see chart)
Sensitivity, Open Circuit Voltage, 1kHz:	1.3mV / Pascal
Clipping Level:	>148 dB SPL
Equivalent Noise:	31 dBA SPL
Dynamic Range:	> 117 dB
Output Impedance, 1 kHz:	1000 ohms
Power Requirements:	5 VDC
Current Consumption:	< 500 uA
Dimensions	Diameter (Mic) 0.412" (10.5 mm) Length (Mic) 0.948" (24.1 mm) less strain relief Length (Mounted) 6.2" (158 mm)
Cable:	0.100" (2.54 mm) Diameter x 5 ft (1.5 m) long
Connector Wiring:	Pin #1 – Ground, Shield Pin #2 – Audio, White Pin #3 – Bias Voltage, Red Pin #4 – N/C
Accessories Furnished:	Two Stage Windscreen Gig Bag
Color:	Nonreflecting black
Environmental Conditions:	Relative Humidity 0-50%: -29° to 74° C (-20° to 165° F) Relative Humidity 0-95%: -29° to 57° C (-20° to 135° F)
Net Weight:	1.9 oz. (54 grams) Mic only: 0.81 oz. (54 grams)



## Frequency Response:



## Polar Response:



## Application Notes:

### Cable Clips:

The gooseneck on the RE920Tx includes a pair of soft vinyl clips to hold the microphone cable. These can be adjusted as needed to make sure the cable does not interfere with the use of your instrument.

### Using the Windscreen:

The RE920Tx includes a windscreen that can be used anytime wind noise is a problem. To install the windscreen, simply press it on the top of the microphone. The windscreen has an internal frame that includes a stop to help position the windscreen correctly. When installing the windscreen, make sure to push it down on the microphone as far as it will go. This will ensure that the frame inside the windscreen doesn't cover any of the acoustic side ports on the microphone.

### Microphone Placement:

Some suggested microphone placements are described below. The tone of the instrument can be varied a great deal depending on the exact placement of the mic. The optimum placement is the one where the mic sounds best and is mostly a matter of personal preference.

#### Trumpets and Trombones

Mount the microphone on the bell of the instrument as shown on the reverse side of this sheet. Pointing the mic towards the center of the bell will result in a brighter sounding tone.

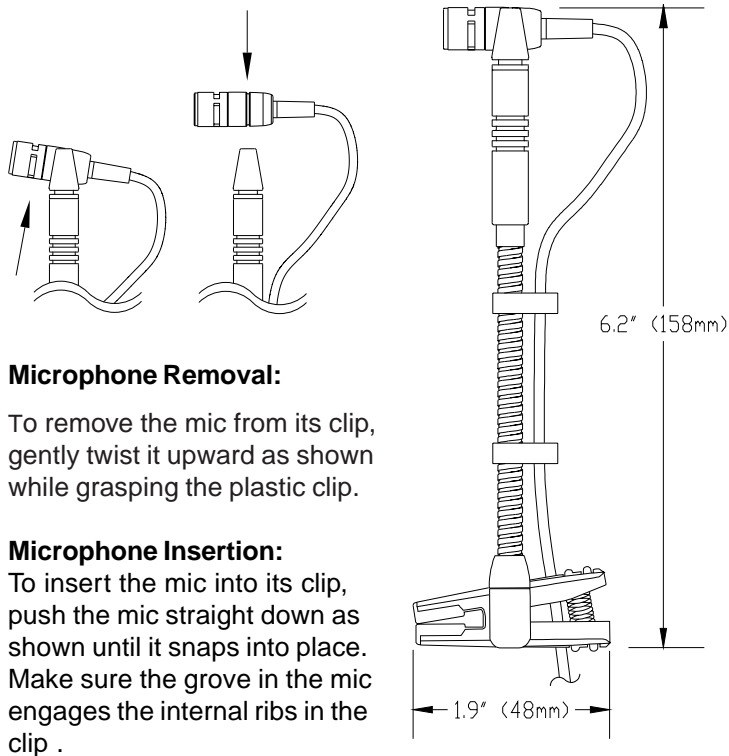
#### Saxophones

Mount the microphone on the bell of the instrument as shown on the reverse side of this sheet. Pointing the mic towards the center of the bell will result in a brighter sounding tone.

#### Woodwinds

For a bright sound, clamp the microphone on the bell of the instrument and point it towards for the center of the bell. For a mellower sound, reverse the mic clamp so that mic points towards the instrument keys.

## Mic Removal/Insertion/Dimensions:



### Microphone Removal:

To remove the mic from its clip, gently twist it upward as shown while grasping the plastic clip.

### Microphone Insertion:

To insert the mic into its clip, push the mic straight down as shown until it snaps into place. Make sure the groove in the mic engages the internal ribs in the clip.

**Ey Electro-Voice®**

12000 Portland Avenue South, Burnsville, MN 55337  
Phone:952/884-4051, Fax:952/884-0043

[www.electrovoice.com](http://www.electrovoice.com)

© Telex Communications, Inc. 3/2005  
Part Number 38110-436 Rev A

U.S.A. and Canada only. For customer orders, contact Customer Service at:  
800/392-3497 Fax: 800/955-6831

Europe, Africa, and Middle East only. For customer orders, contact Customer Service at:  
+ 49 9421-706 0 Fax: + 49 9421-706 265

Other International locations. For customer orders, contact Customer Service at:  
+ 1 952 884-4051 Fax: + 1 952 736-4212

For warranty repair or service information, contact the Service Repair department at:  
800/553-5992 or 402/467-5321

For technical assistance, contact Technical Support at: 800/392-3497 or 952/736-4656

Specifications subject to change without notice.