



## Key Features:

- Dual ND2 2" Voice Coil, 1" Exit Neodymium Compression Drivers
- DVX3151 15" LF Transducer with Forced Air Cooling
- Very High Sensitivity, 134 dB Maximum SPL
- Ultra-Compact, Low Profile, Multipurpose Design
- 90° x 45° Coverage Pattern
- 600W Continuous (2400W Peak) Power Handling
- Passive/Biamp Selectable
- Integral Rigging Point for VSA-1 Strong Arm
- Pole Mount for Tripod Use



## General Description:

The Electro-Voice® PX1152M is a versatile fullrange, 2-way floor monitor loudspeaker system that is part of the Electro-Voice® Phoenix Series and is intended for high output sound reinforcement in a large range of portable sound applications. The PX1152M is capable of being configured as either passive or biamp, and can be used fullrange for stage monitor applications or used with a subwoofer as a very compact system with extended low frequency capability.

The PX1152M uses the DVX3151 woofer, a high efficiency 15-inch woofer with forced air cooling. Dual ND2-16 compression drivers are precisely summed in a manifold for increased power handling, maximum SPL, and low distortion. The very low distortion 90° x 45° horn provides optimal coverage in the PX1152M's configurations. The enclosure is constructed of 18-mm, 13-ply plywood, using tongue and groove joints and EVCoat™ for long term durability.

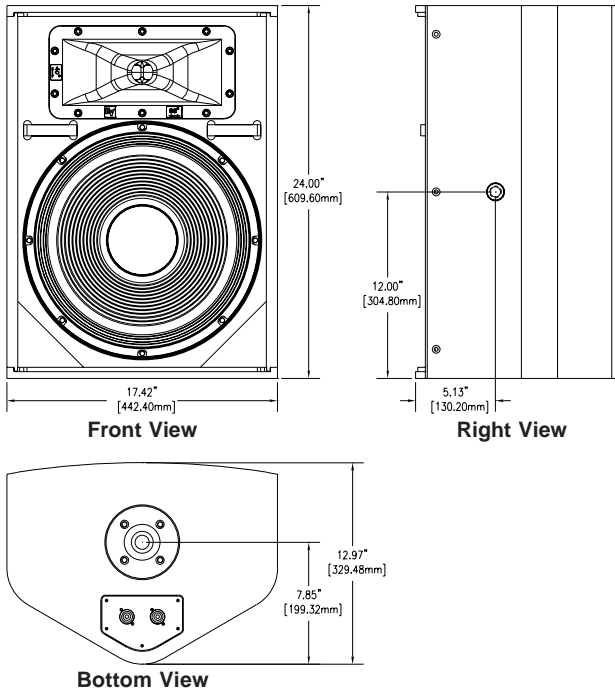
As a stage monitor, the PX1152M provides symmetrical left and right 60° monitor angles, and NL4 connectors on each side of the enclosure for connecting multiple monitors. An integrated rigging point allows for installation on a truss using the VSA-1 strong arm accessory.

## Technical Specifications:

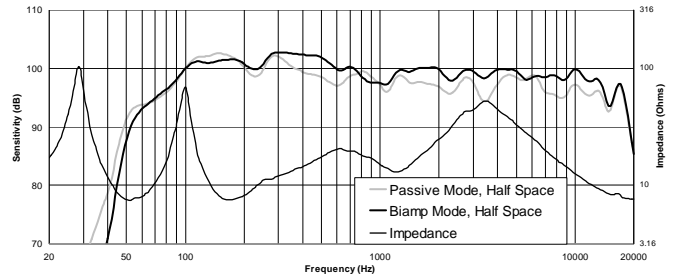
Freq. Response <sup>1</sup> (-3 dB):	70 Hz - 15 kHz
Freq. Range <sup>1</sup> (-10 dB):	50 Hz - 19 kHz
Rec. Hipass Frequency:	45 Hz
Axial Sensitivity <sup>1</sup> :	100 dB (1W/1m)
Max Calculated SPL <sup>1</sup> :	134 dB
Horizontal Coverage:	90°
Vertical Coverage:	45°
Power Handling (Passive):	600W Continuous, 2400W Peak
LF Power Handling (Biamp):	500W Continuous, 2000W Peak
HF Power Handling (Biamp):	80W Continuous, 320W Peak
LF Transducer:	(1) DVX3151, 15 in. (381mm) Driver
HF Transducers:	(2) ND2-16, 2 in. (50mm) Diaphragm Compression Drivers
Crossover Frequency:	1400 Hz
Impedance (Passive):	8 Ohms Nominal
LF Impedance (Biamp):	8 Ohms Nominal
HF Impedance (Biamp):	8 Ohms Nominal
Connectors:	(3) Neutrik Speakon NL4's
Enclosure Material:	18mm Plywood with Black EVCoat™
Suspension:	Rigging Point for VSA-1 Strong Arm Accessory
Grille:	Polyester Powder Coated, 16GA Galvanized Steel, with Rotatable Logo
Dim (H x W x D):	610mm x 442mm x 329mm (24.00" x 17.42" x 12.97")
Net Weight:	25.1 kg (55.3 lbs)
Shipping Weight:	28.2 kg (62.1 lbs)

<sup>1</sup> Half Space measurement.

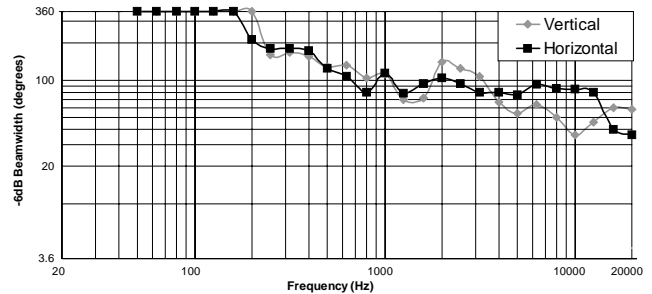
## Dimension Drawings:



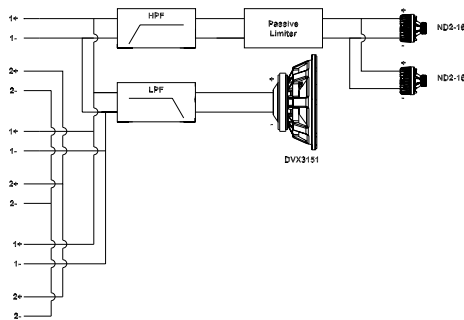
## Frequency Response & Impedance:



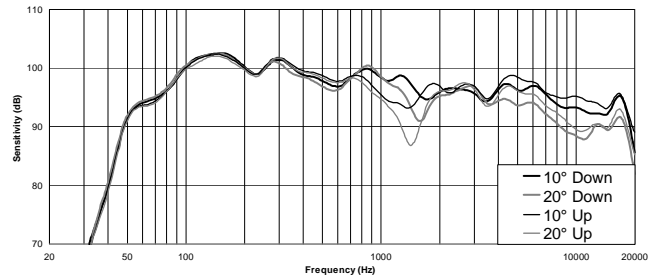
## Beamwidth:



## Block Diagram (Passive Mode):



## Frequency Response, Off-Axis:



## Block Diagram (Biamp Mode):



### PX1152M Part Number

- 302018-001 PX1152M, 90° x 40° Horn, Black Finish

### Performance Match

- D170312 CP3000S, 120V, 2 x 1100W Compact Precision Series Power Amplifier
- D170348 DX38, Digital Loudspeaker Processor

### Accessories

- ACC000007001 VSA-1, Strong-Arm Mount, Black
- D112941 Truss Clamp (Requires Suspension Arm)



This PX1152M Loudspeaker should be suspended overhead only in accordance with the procedures and limitations specified. This system should be suspended with certified rigging hardware by an authorized rigging professional and in compliance with local, state, and federal overhead suspension ordinances.



12000 Portland Avenue South, Burnsville, MN 55337

Phone: 952/884-4051, Fax: 952/884-0043

[www.electrovoice.com](http://www.electrovoice.com)

© Telex Communications, Inc. 10/2006

Part Number 38110-531 Rev. A

U.S.A. and Canada only. For customer orders, contact Customer Service at:

**800/392-3497 Fax: 800/955-6831**

Europe, Africa, and Middle East only. For customer orders, contact Customer Service at:

**+ 49 9421-706 0 Fax: + 49 9421-706 265**

Other International locations. For customer orders, contact Customer Service at:

**+ 1 952 884-4051 Fax: + 1 952 736-4212**

For warranty repair or service information, contact the Service Repair department at:

**800/685-2606**

For technical assistance, contact Technical Support at: **866/78AUDIO**

Specifications subject to change without notice.