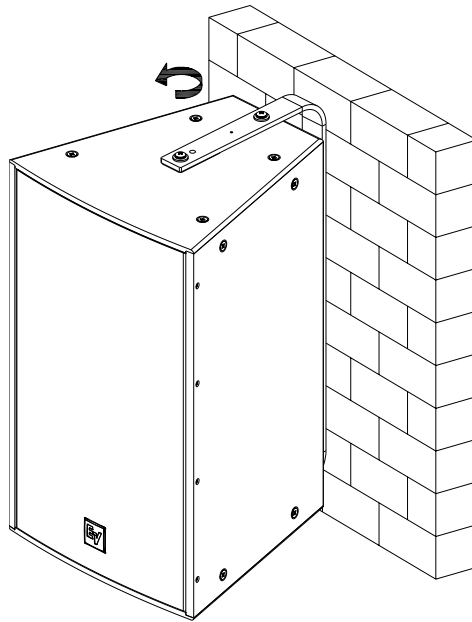




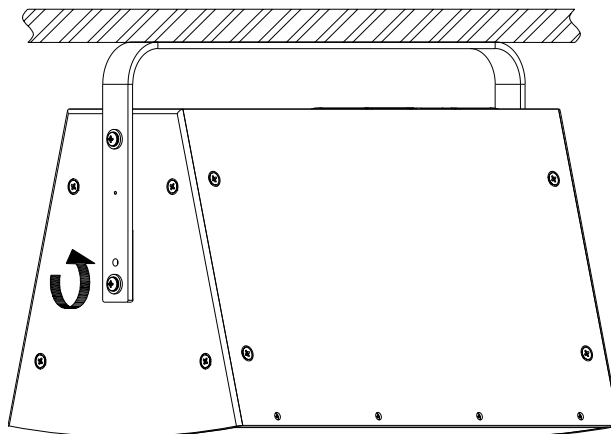
---

## EVF-UB Wall/Ceiling Mounting Bracket Kit

The EVF-UB Wall/Ceiling Mounting Bracket Kit features a robust bracket and hardware that allow for an EVF loudspeaker to be quickly and easily mounted to a wall or ceiling in almost any position to obtain the desired sound coverage.



**Figure 1: Suspending an EVF loudspeaker from a wall using the EVF-UB**



**Figure 2: Suspending an EVF loudspeaker from a ceiling using the EVF-UB**



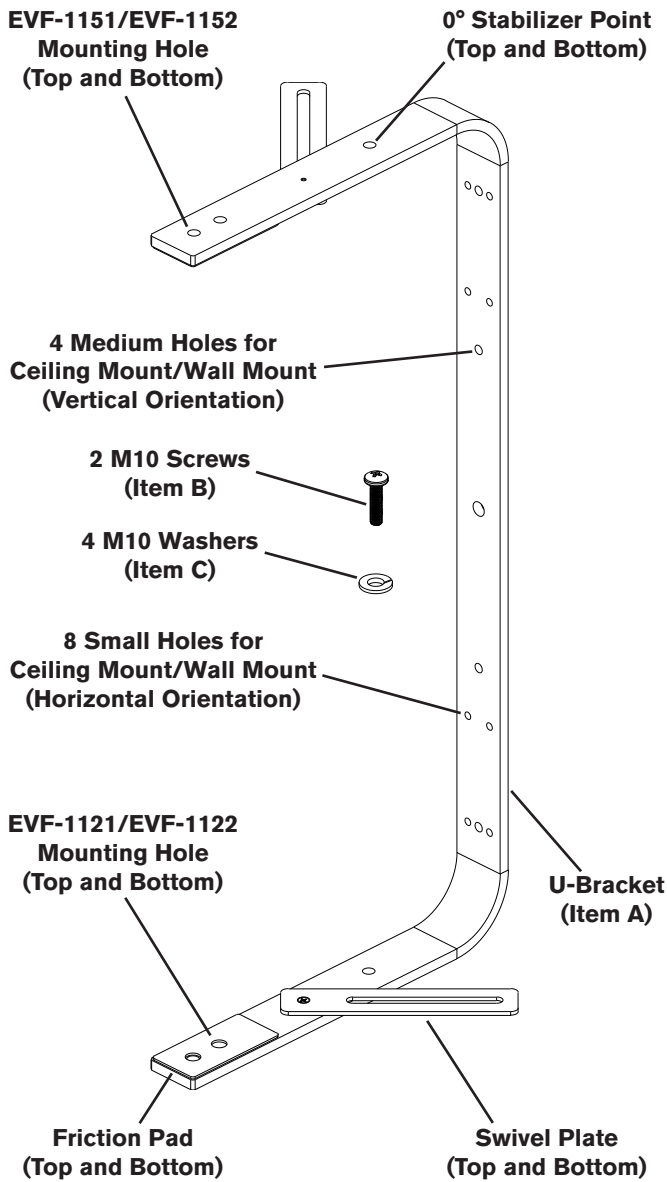


Figure 3: EVF-UB features

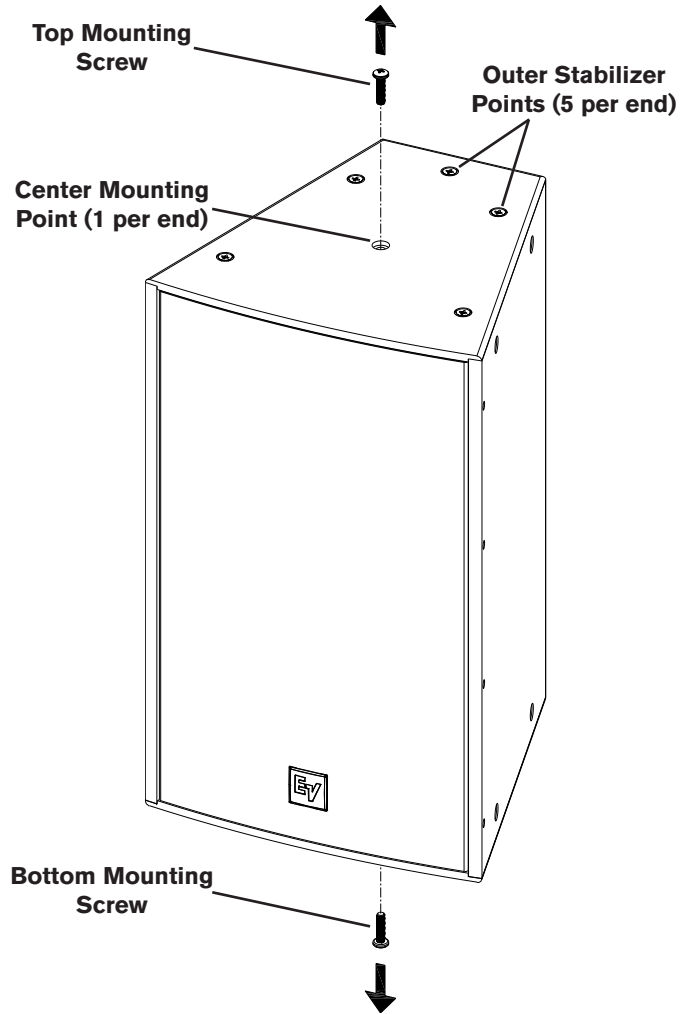


Figure 4: Removing screws from the EVF loudspeaker

EVF-UB Mounting Bracket Includes		
Item	Description	Qty.
A	U-Bracket Assembly	1
B	Screw, M10 x 45mm, Button Head	2
C	Washer, M10, Split Lock	4

**Step 1: Remove Screws from Loudspeaker**  
 Remove both M10 button head screws from the central mounting points on the top and bottom of the loudspeaker (Figure 4), along with two M10 flat head screws from the outer stabilizer points to be used on the top and bottom of the loudspeaker. Only remove screws from the outer stabilizer points which will be used for the desired rotation angle of the loudspeaker.

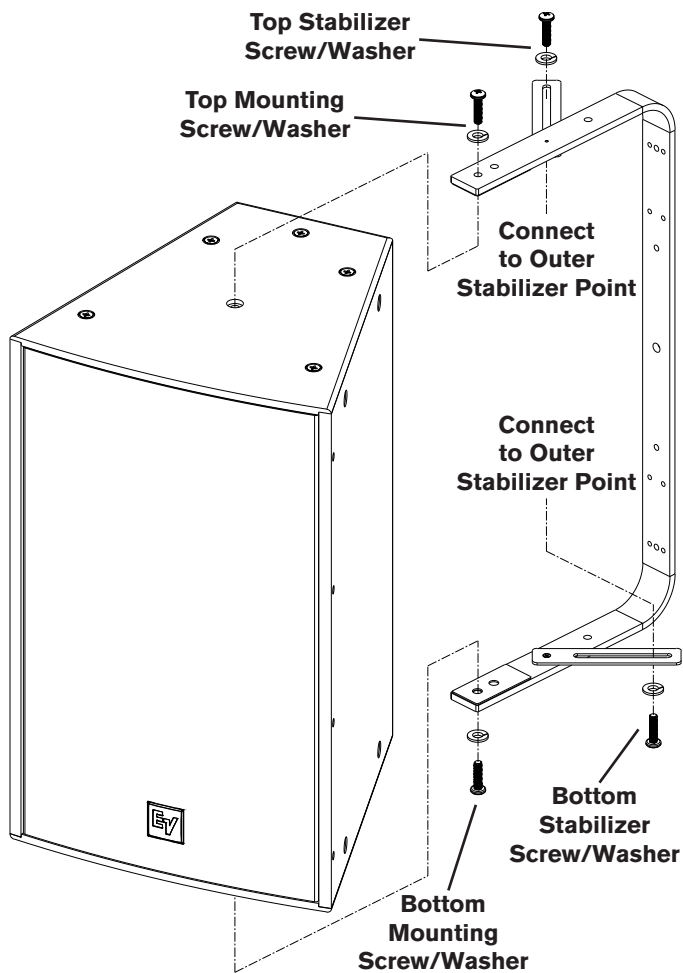


Figure 5: Aligning the EVF loudspeaker with the U-Bracket

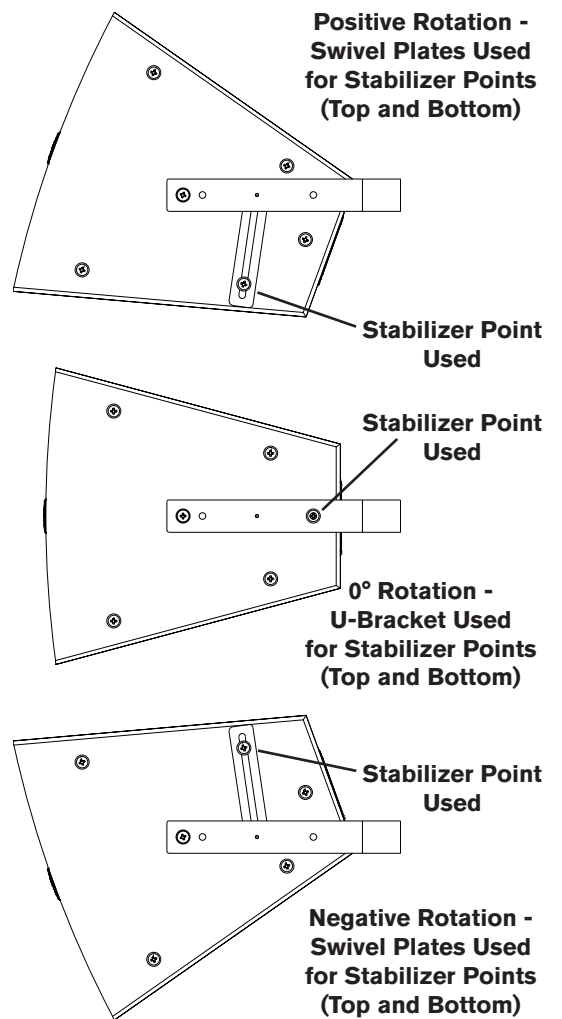


Figure 6: Examples of angles and stabilizer points used

### Step 2: Mount the U-Bracket

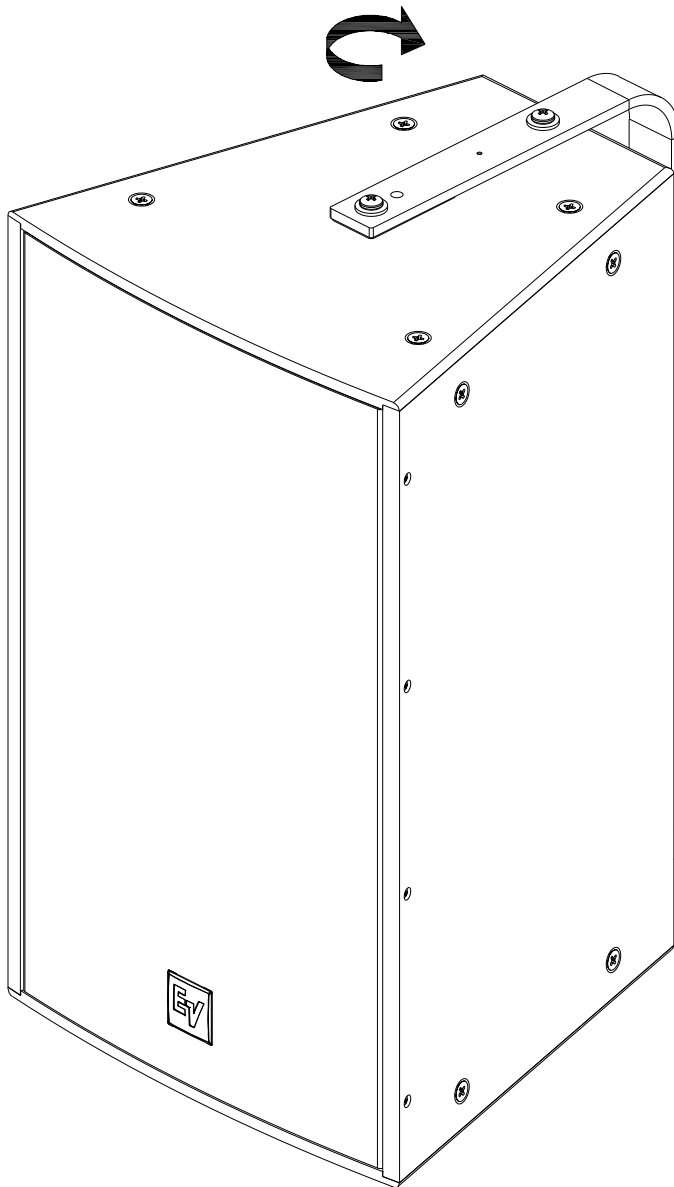
Mount the U-bracket (Item A) to a wall or ceiling using the appropriate holes (Figure 3). Use fasteners (not included) that are suitable for the construction material of the wall or ceiling. See dimension diagrams for mounting hole patterns and dimensions.

### Step 3: Mount the EVF to the U-Bracket

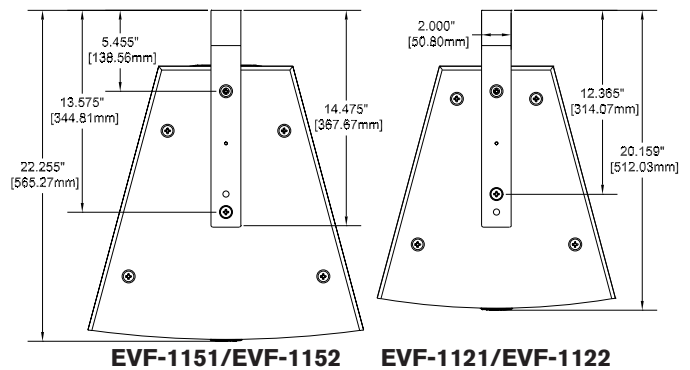
Prior to mounting, ensure the M5 flat head screws used to secure the swivel plate to the U-bracket are tight, but still allow for some movement without excessive force. Slide the EVF loudspeaker into the U-bracket (Item A) by aligning the central mounting holes with the respective front mounting hole of the U-bracket (Figure 5). Insert both M10 screws and M10 washers (Item C) into the top and bottom central mounting holes and finger tighten to still allow for some rotation.

### Step 4: Rotate and Tighten Screws

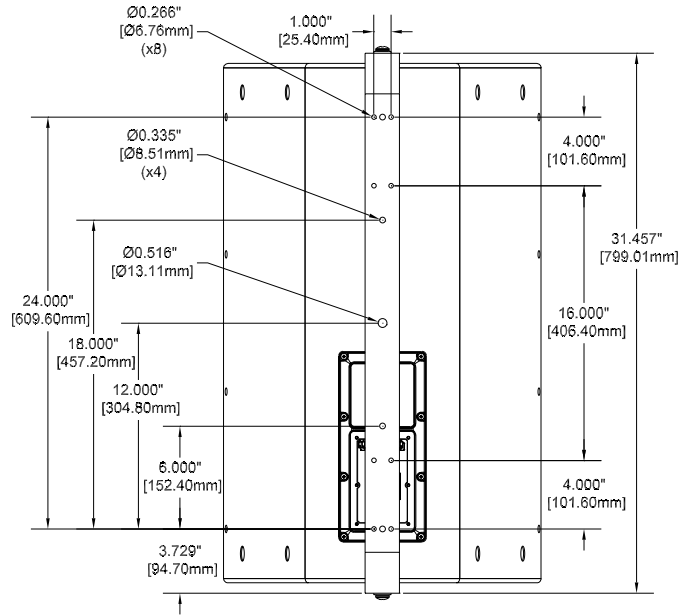
Rotate the EVF loudspeaker to the desired angle (Figure 6), and rotate the top and bottom swivel plates to align slots with the desired outer stabilizer points. Insert M10 screws (Item B) and M10 washers (Item C) through the slots and into the outer stabilizer points. Tighten all M10 screws once desired orientation is achieved (Figure 7).



**Figure 7: Tighten all screws after rotated to desired angle  
(Bottom screws not shown)**



**Figure 8: EVF-UB Top View Dimensions**



**Figure 9: EVF-UB Rear View Dimensions**



**WARNING:** Suspending any object is potentially dangerous and should only be attempted by individuals who have a thorough knowledge of the techniques and regulations of suspending objects overhead. Electro-Voice® strongly recommends that all speakers be suspended taking into account all current national, federal, state and local regulations. It is the responsibility of the installer to ensure that all speakers are safely installed in accordance with all such regulations. When speakers are suspended, Electro-Voice® strongly recommends that the system be inspected at least once a year. If any sign of weakness or damage is detected, remedial action should be taken immediately. The user is responsible for making sure that the wall or ceiling is capable of supporting the loudspeaker. Any hardware used to suspend a loudspeaker that is not associated with Electro-Voice® is the responsibility of others.

## Electro-Voice®

12000 Portland Avenue South, Burnsville, MN 55337  
Phone: 952/884-4051, Fax: 952/884-0043

www.electrovoice.com

© Bosch Communications Systems 08/2009

Part Number LIT000369 Rev A

U.S.A. and Canada only. For customer orders, contact Customer Service at:  
**800/392-3497 Fax: 800/955-6831**

Europe, Africa, and Middle East only. For customer orders, contact Customer Service at:  
**+ 49 9421-706 0 Fax: + 49 9421-706 265**

Other International locations. For customer orders, Contact Customer Service at:  
**+ 1 952 884-4051 Fax: + 1 952 887-9212**

For warranty repair or service information, contact the Service Repair department at:  
**800/685-2606**

For technical assistance, contact Technical Support at: **866/78AUDIO**

Specifications subject to change without notice.