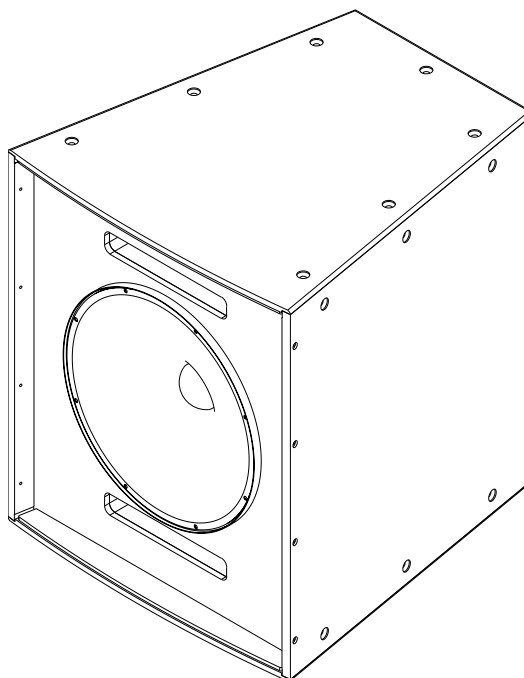


EVF-1181S
Single 18"
Front Loaded
Subwoofer



Key Features:

- EVS18SB 18" (457mm) LF Transducer
- 99 dB Sensitivity, 131 dB Maximum SPL
- System Rating: 400W Continuous, (1600W Peak)
- (28) M10 Threaded Suspension Points



General Description:

The Electro-Voice® EVF-1181S is a high power, front-loaded bass element that can be used in a variety of applications where high quality sound reinforcement is required in a lightweight package.

The EVF-1181S utilizes the EVS18SB 18" woofer used FEA optimization for motor, suspension, and electrical design for very low distortion and maximum intelligibility at high SPL levels.

The EVF-1181S features make it a professional loudspeaker for any fixed install application. The trapezoidal enclosure is constructed out of weather resistant birch, and coated with EVCoat™ for maximum protection from the elements. The unique acoustic and rigging design allows for vertical and horizontal clusters to be built using any combination of loudspeakers from the entire EVF & EVH Series, with an assortment of Full-Range, Low Frequency and Subwoofer loudspeakers, it gives you the tools to maximize flexibility of system design, no matter what the application and budget. The innovative input panel provides choice of phoenix style connector (included in all standard models) or the ability to add; a dual NL4 type connector cover plate or gland nut cover plate (for weatherizing applications). An available 70.7/100 Volt transformer kit simply mounts to the input panel for use in distributed systems. All these features give you the flexibility to do a large range of venues with fewer items in inventory and quickly support your customer's requirements.

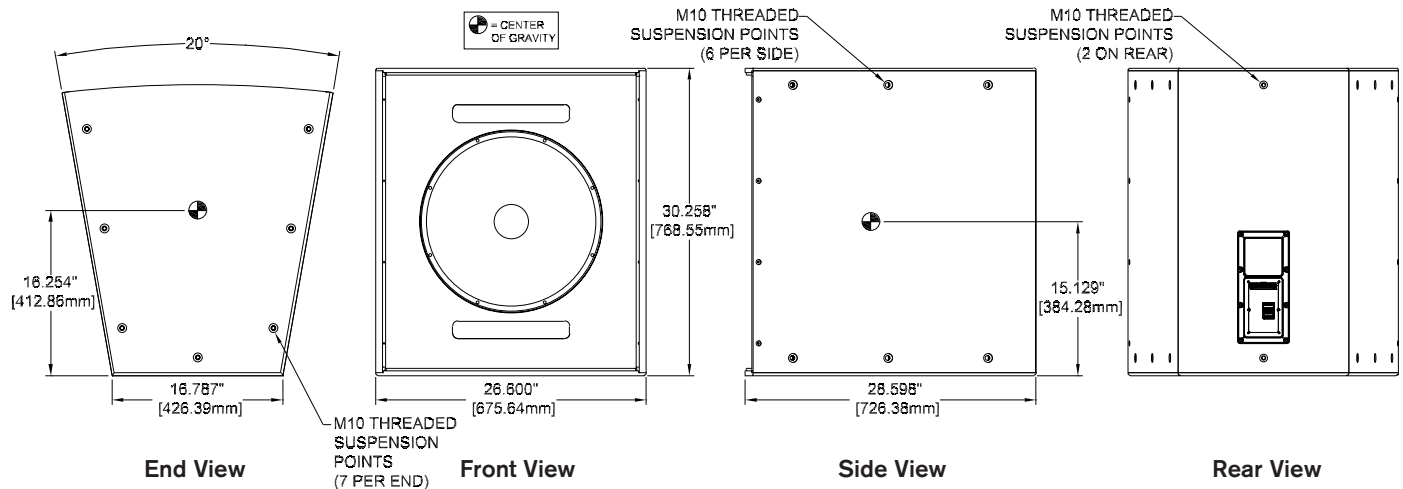
Technical Specifications:

Freq. Response ¹ (-3 dB):	35 Hz - 100 Hz	
Freq. Range ¹ (-10 dB):	28 Hz - 650 Hz	
Rec. Hipass Frequency:	33 Hz	
Axial Sensitivity ¹ :	99 dB (1W/1m)	
Max. Calculated SPL ¹ :	131 dB	
Horizontal Coverage:	Omnidirectional	
Vertical Coverage:	Omnidirectional	
Power Handling:	400W Continuous, 1600W Peak	
LF Transducer:	EVS18SB, 18 in (457mm) Driver	
Nominal Impedance:	8 Ohms	
Minimum Impedance:	6.0 Ohms	
Connectors:	(2) 4 Contact 10 AWG Phoenix/EuroBlock Style Screw Terminal	PI Version - Gland Nut with Included Input Panel Cover
Enclosure Material:	13 Ply Weather Resistant Birch	
Grille:	16 GA Galvalneal, Powdercoat, with Rotatable Logo	PI Version - Stainless Steel with Hydrophobic Cloth
Suspension:	(28) M10 Threaded Points	
Dimensions (H x W x D):	30.26" x 26.60" x 28.60" (768.6mm x 675.6mm x 726.4mm)	
Net Weight:	101.2 lbs (46.0 kg)	
Shipping Weight:	114.7 lbs (52.1 kg)	

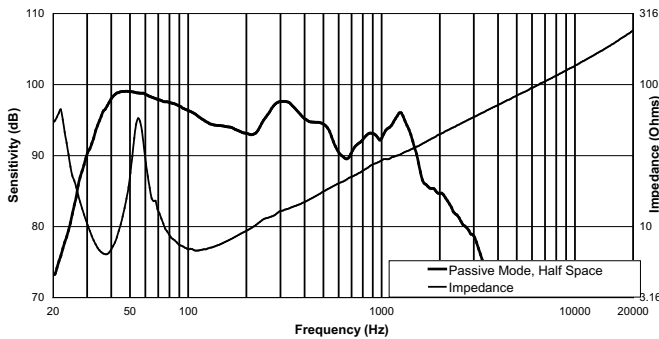
¹ Half Space Measurement.



Dimension Drawings:



Frequency Response & Impedance:



CAUTION

This EVF Loudspeaker should be suspended overhead only in accordance with the procedures and limitations specified in the *EVF User Manual* and possible manual update notices. This system should be suspended with certified rigging hardware by an authorized rigging professional and in compliance with local, state, and federal overhead suspension ordinances.

Performance Match

- PRD000199 EVF-1122S/64, 60° x 40° Coverage
- PRD000200 EVF-1122S/66, 60° x 60° Coverage
- PRD000201 EVF-1122S/94, 90° x 40° Coverage
- PRD000202 EVF-1122S/96, 90° x 60° Coverage
- PRD000203 EVF-1122S/99, 90° x 90° Coverage
- PRD000204 EVF-1122S/126, 120° x 60° Coverage
- PRD000205 EVF-1152S/43, 40° x 30° Coverage
- PRD000206 EVF-1152S/64, 60° x 40° Coverage
- PRD000207 EVF-1152S/66, 60° x 60° Coverage
- PRD000208 EVF-1152S/94, 90° x 40° Coverage
- PRD000209 EVF-1152S/96, 90° x 60° Coverage
- PRD000210 EVF-1152S/99, 90° x 90° Coverage
- PRD000211 EVF-1121S, 12" Bass Element
- PRD000212 EVF-1151S, 15" Bass Element
- PRD000214 EVH-1152S/64, Coaxial 60° x 40° Coverage
- PRD000215 EVH-1152S/66, Coaxial 60° x 60° Coverage
- PRD000216 EVH-1152S/94, Coaxial 90° x 40° Coverage
- PRD000217 EVH-1152S/96, Coaxial 90° x 60° Coverage
- PRD000218 EVH-1152S/99, Coaxial 90° x 90° Coverage
- F.01U.076.843 CPS2.9, 120V Power Amplifier, 2 x 900W
- F.01U.076.844 CPS2.12, 120V Power Amplifier, 2 x 1200W
- D170469 CPS4.5, 120V Power Amplifier, 4 x 500W
- D170466 CPS4.10, 120V Power Amplifier, 4 x 1000W

EVF-1181S Part Numbers

- PRD000213-001 EVF-1181S-BLK, Black Finish
- PRD000213-002 EVF-1181S-WHT, White Finish
- PRD000213-003 EVF-1181S-PIB, Black, Weather Resistant
- PRD000213-004 EVF-1181S-PIW, White, Weather Resistant
- PRD000213-005 EVF-1181S-FGB, Black, Weather Resistant Fiberglass
- PRD000213-006 EVF-1181S-FGW, White, Weather Resistant Fiberglass

Accessories

- ACC000084-000 CDNL4, Cover Plate, Dual NL4
- ACC000085-000 CSG, Cover Plate, Single Gland Nut
- ACC000086-000 CDG, Cover Plate, Dual Gland Nut
- ACC000087-000 TK-150, 70V Transformer, 150W
- ACC000090-001 HRK-2B, Horiz. Rigging Kit, EVF-SUB, Black
- ACC000090-002 HRK-2W, Horiz. Rigging Kit, EVF-SUB, White
- ACC000091-001 HRK-3B, Horiz. Rigging Kit, EVH, Black
- ACC000091-002 HRK-3W, Horiz. Rigging Kit, EVH, White
- ACC000093-001 VRK-2B, Vert. Rigging Kit, EVF-SUB, Black
- ACC000093-002 VRK-2W, Vert. Rigging Kit, EVF-SUB, White
- ACC000094-001 VRK-3B, Vert. Rigging Kit, EVH, Black
- ACC000094-002 VRK-3W, Vert. Rigging Kit, EVH, White

Electro-Voice®

12000 Portland Avenue South, Burnsville, MN 55337
Phone: 952/884-4051, Fax: 952/884-0043

www.electrovoice.com

© Bosch Communications Systems 02/2009

Part Number LIT000291000 Rev 1

U.S.A. and Canada only. For customer orders, contact Customer Service at:
800/392-3497 Fax: 800/955-6831

Europe, Africa, and Middle East only. For customer orders, contact Customer Service at:
+ 49 9421-706 0 Fax: + 49 9421-706 265

Other International locations. For customer orders, Contact Customer Service at:
+ 1 952 884-4051 Fax: + 1 952 887-9212

For warranty repair or service information, contact the Service Repair department at:
800/685-2606

For technical assistance, contact Technical Support at: 866/78AUDIO

Specifications subject to change without notice.